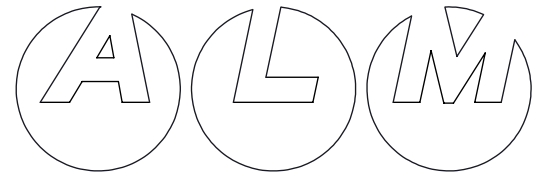


City Indoor

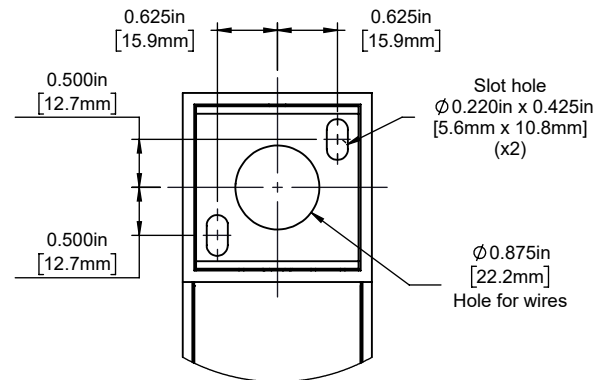
WALL

INSTALLATION INSTRUCTIONS



1	Power feed (by others)
2	Top mounting bracket
3	Fixture power wires
4	Bottom mounting bracket
5	Mounting hardware (provided)
6	Fixture housing
7	Fixture housing mounting screws (x2)

Size	Mounting point location bracket center to bracket center
27	25.031" [636mm]
39	37.031" [941mm]
51	49.031" [1,245mm]
63	61.031" [1,550mm]



**Top mounting
bracket detail**

INSTRUCTIONS:

1. Unscrew fixture housing mounting screws and remove mounting brackets from the fixture housing.
2. Bring the electrical power feed through the hole in top mounting bracket and secure mounting brackets to the wall using hardware provided.
3. Bring fixture housing to the location, splice the fixture wires and power feed as required, and secure fixture housing to the mounting brackets using fixture housing mounting screws provided.
Wires for connection are clearly labeled.
4. Energize.

GENERAL NOTE:

- * Turn power off before beginning.
- * Do not connect to an ungrounded supply.
- * Consult a qualified electrician to ensure correct branch circuit conductor.
- * This product must be installed in accordance with the applicable installation code by a person familiar with the construction and operation of the product and the hazards involved.
- * Save these instructions.